

BMW S 1000 XR
from date of manufacture 2015

Alurack

Item.-no.: 650675 01 01 black

Easyrack

Item.-no.: 661675 01 01 black

- Side cases
- Top cases
- luggage frames
- Lock it system
- Softbags
- Aluminium luggage
- Leather luggage
- Protection bars
- Center stands
- Chopper parts
- Accessories



Assembling instructions

Alurack:



Easyrack:



Kit

1 700009062 Adapter plate

When ordering a Alurack:

1 700006881 contains:
1 799.901HB alu-rack
1 799.902HB bow for Alu-rack
1 799.903HB plastic cover for rack

When ordering a Easyrack:

1 700008650 Easyrack
1 700008647 plastic cover left
1 700008648 plastic cover right

1 700009063 Screw kit:

2x filister head screw M8x80
2x filister head screw M8x70
4x allen screw M6 x 20
4x allen screw M6 x 12
4x special washer 20 x 20 x ø6,4
4x washer ø6,4
4x self lock nut M6
4x washer ø8,4
2x steel spacer ø18xø9x30 black
2x steel spacer ø18xø9x20 black



combinable with Lock it side carrier 650675.0001
or C-Bow softbag holder 630675.0001



combinable with Original BMW side carrier

Tools required

Allen key 5
Wrench 10

Note

Installation note:

Of course, the assembly requires a certain technical experience. If you are not sure how to execute a determined action, you should ask your local distributor to do it.

First, tighten all screws only loosely. After mounting all parts, the screws should be tightened to the torque specified. This guarantees, that the product is mounted without tension.

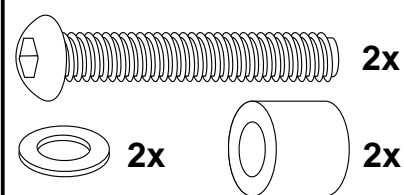
Observe the tightening torques of the motorcycle manufacturer!
Control all screw connections after the assembling for tightness!
Please notice our enclosed service information.

Preparing:

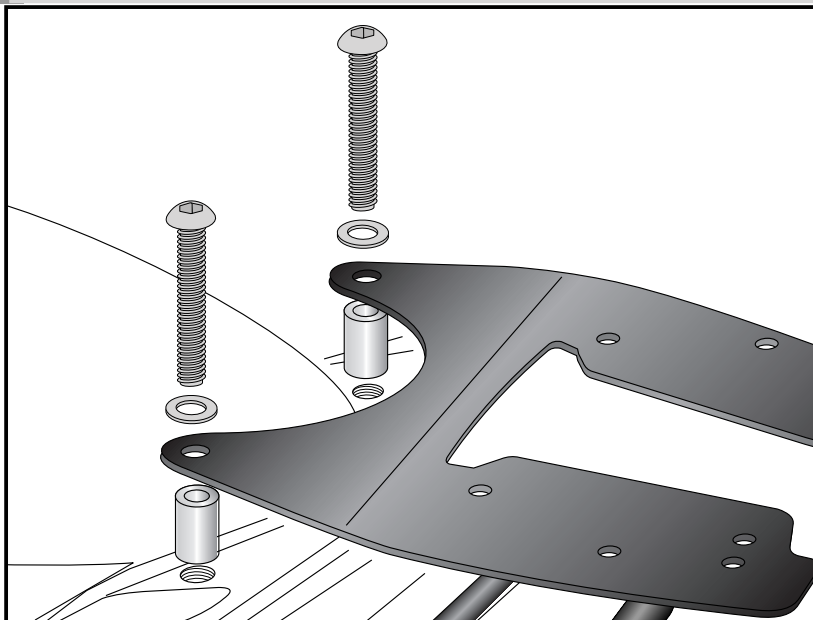
Dismantle the 4 original screws at the top and at the side of the handle
- screws are obsolete.

Fastening of the adapter plate top left+right:

at the now free borings. Use filister head screws M8x70 with washers $\varnothing 8,4$.
Add steel spacer $\varnothing 18 \times \varnothing 9 \times 20$ between adapter plate and original rack.

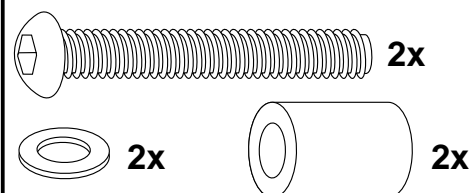


1

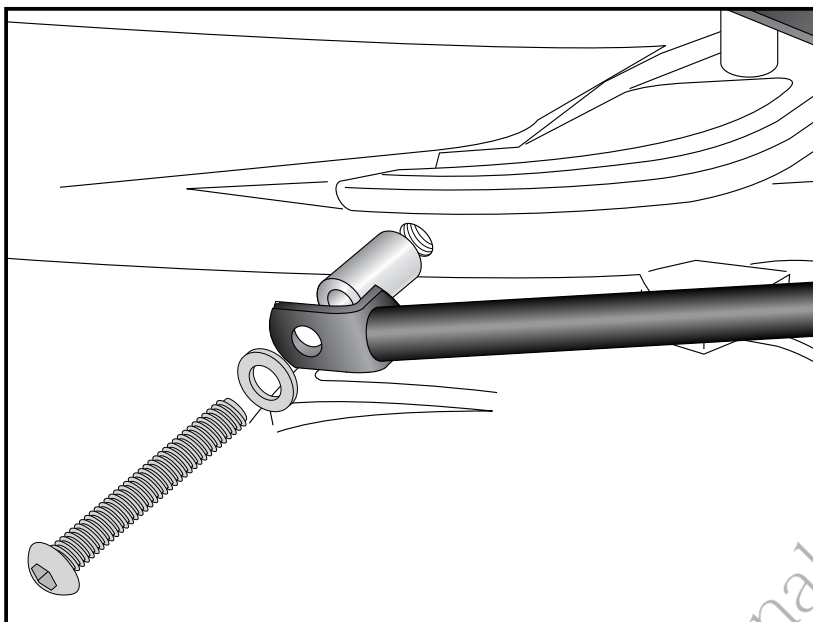


Fastening of the adapter plate at the side left+right:

at the now free borings. Use filister head screws M8x80 with washers $\varnothing 8,4$.
Add steel spacer $\varnothing 18 \times \varnothing 9 \times 30$ between frame and adapterplate.

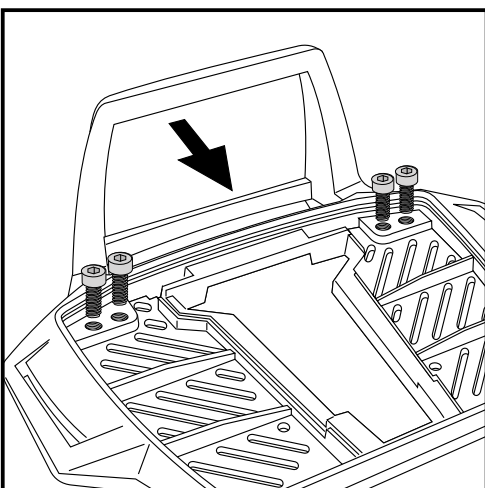


2



NOTE:

The spacers will not be used in combination with C- Bow or original BMW side carrier.



3

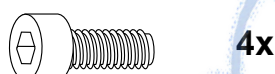
for Alurack mounting only !
Easyrack go to step 5:

Fastening of the bow for the rack:

Fix the bow to the rack with allen screws M6 x 12.

NOTICE:

The bow is only needed in use with a Hepco & Becker topcase.



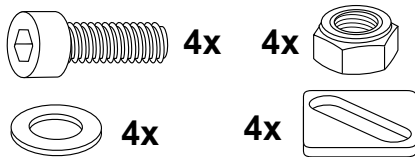
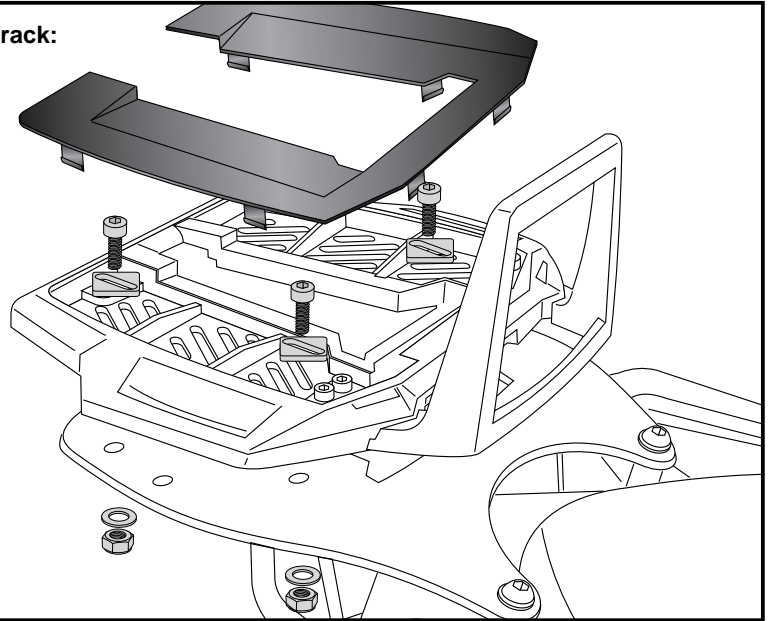
Fastening of the Alurack:

with allen screws M6 x 20 and special washer 20 x 20 x ø6,4.
Secure with washers ø6,4 and self-lock nuts M6.

Mount the plastic cover.

4

Alurack:



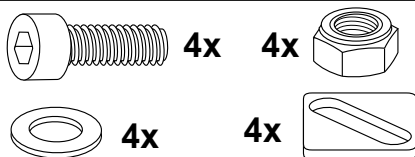
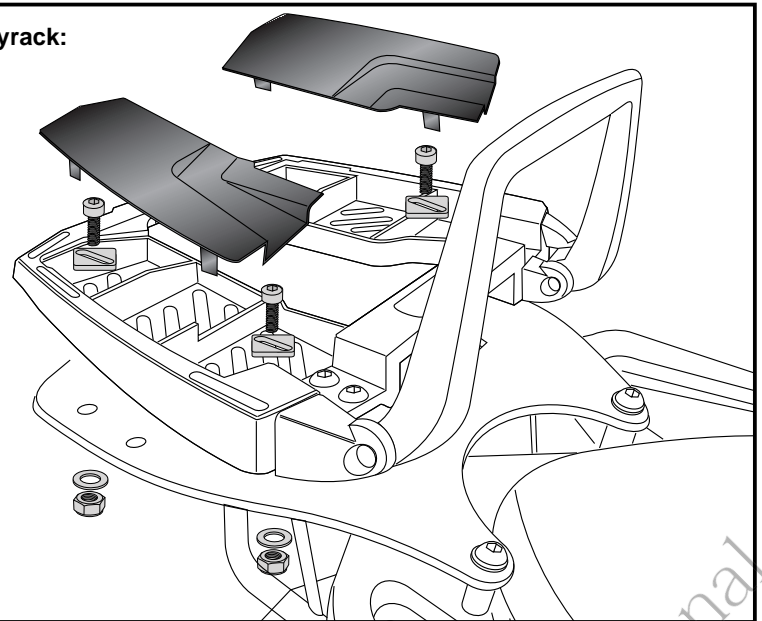
Fastening of the Easyrack:

with allen screws M6 x 20 and special washer 20 x 20 x ø6,4.
Secure with washers ø6,4 and self-lock nuts M6.

Mount the plastic covers.

5

Easyrack:



Also available:

Side carrier (Lock it System, removable)
C-Bow Softbag holder
Engine guard
Tankring

650675 00 01
630675 00 01
501675 01 01
506003-6

More accessories: see our homepage.



Hepco & Becker GmbH
An der Steinmauer 6
D-66955 Pirmasens
Germany

Tel.: +49 6331 - 1453 - 100
Fax: +49 6331 - 1453 - 120
eMail: vertrieb@hepco-becker.de
www.hepco-becker.de